



Selective Laser Sintering Printers

Production thermoplastic parts with ProX[®] and sPro[™] SLS printers



Limitless Possibilities with Tool-less Manufacturing

ELIMINATE THE TIME AND EXPENSE OF TOOLING

Direct 3D production from a CAD file eliminates the cost and time involved in tooling and fixtures.

INCREASE MANUFACTURING AGILITY

Additive manufacturing requires no tooling, reducing overhead and increasing economies of scope.

STREAMLINE YOUR WORKFLOW

Eliminate extensive programming and fixturing to free up your machinists. Drastically reduce assembly times by reducing total part count.

DESIGN FOR FUNCTION

SLS technology frees designers from the restrictions of traditional manufacturing. Complete assemblies can be printed as one part, improving functionality, reducing cost and increasing reliability.



HOUSINGS

Manufacture in small to medium lot sizes, and bridge the time until final tools are manufactured.



MACHINERY COMPONENTS

Integrate functionality and replace complex assemblies.



FUNCTIONAL TESTING

Test your prototypes for functionality—such as heat run cycle tests.



JIGS AND FIXTURES

Print complex assembly aids and free up CNC time for other projects.



DUCTING

Optimize flow and fit in tight spaces with the freedom to print duct-work that is impossible to mold.



CONSUMER GOODS

High-speed production for small lots and custom products.

sPro™ 60, 140 & 230

Accurate, tough production parts

3D Systems sPro SLS systems share a common architecture to produce high-resolution, durable thermoplastic parts available in medium to large build volumes.



Sander tool housing printed in DuraForm PA material



Back cover of vacuum cleaner printed in DuraForm EX Black



TOUGH AND DURABLE PARTS

Industrial-grade performance delivers the toughest applications, print after print.

EXCELLENT PART RESOLUTION, SURFACE FINISH AND EDGE DEFINITION

Print small to large parts with fine detail and sharp edges.

FLEXIBILITY THROUGH UPGRADE OPTIONS

Upgradeable with the flexibility to increase speed and resolution to match your needs now and in the future.

OPEN MATERIAL ARCHITECTURE

Broad choice of materials through flexible print parameters.



sPro™ 60

sPro™ 230

TECHNOLOGY LEADERSHIP

3D Systems' patented Precision Counter Rotating Roller system spreads and compacts each layer of powder materials to create strong, dense parts with very smooth surfaces.

ProX[®] SLS 6100

Production-ready for tough, functional parts

Get production quality at prototyping price with fast build speed and low total cost of operations.

PRODUCTION-GRADE MATERIALS

Produce tough, durable parts from a wide material portfolio that has been optimized, validated and tested to ensure quality, with uniform 3D mechanical properties.

HIGH THROUGHPUT

Faster build times than other SLS printers in its price point, high performance nesting and high density capability for a 25% larger build volume capacity.

STREAMLINE YOUR WORKFLOW

Optimize the SLS printing process with 3D Sprint integrated additive manufacturing software, free valuable resources with fully automated material handling, and further increase uptime and improve production efficiency with 3D Connect capability.

UNMATCHED PART QUALITY

Best resolution, surface finish and edge definition of any 3D sintering technology.

MAXIMIZE YOUR INVESTMENT

Automated production tools, remarkably high throughput, 95% material efficiency, repeatability, combined to a competitive initial purchase price, deliver a 20% lower total cost of operations over similar printers.

Working buckle closure printed in metallic DuraForm ProX AF+



Hose fitting printed in DuraForm ProX GF



Manifold printed in DuraForm ProX FR1200



MATERIAL QUALITY CONTROL SYSTEM (MQC)

Engineered specifically for the ProX SLS 6100, the MQC (either single or dual version servicing one or two printers respectively) ensures excellent parts and efficient use of material. It automatically blends, recycles and delivers material, letting the printer run 24/7 for maximum productivity.



Thermoplastics and Elastomers for Robust Production Parts

Select from a wide range of DuraForm® materials to match material performance with your specific application requirements. ProX materials are exclusive to the ProX SLS printers.



DuraForm PA / DuraForm ProX PA

Extra strong thermoplastic with superior mechanical properties and surface quality. This durable engineering plastic has balanced mechanical properties and fine-feature surface resolution.



DuraForm GF / DuraForm ProX GF

A glass-filled nylon engineering plastic with high stiffness, elevated temperature resistance, and isotropic properties.



DuraForm HST Composite / DuraForm ProX HST Composite

A fiber-reinforced material with an ideal mix of stiffness, strength and high temperature resistance.



DuraForm ProX AF+

Aluminum-filled nylon 12-based powder that produces stiff and rigid metallic appearing parts.



DuraForm EX Black and Natural / DuraForm ProX EX BLK and NAT

Impact-resistant nylon 11 with the toughness of injection-molded polypropylene (PP) and ABS.



DuraForm FR1200 / DuraForm ProX FR1200

A flame-retardant nylon 12 material that meets aerospace industry standards for flammability, smoke density and smoke toxicity.



DuraForm TPU and DuraForm Flex

Flexible materials with excellent memory and abrasion resistance.

* Availability varies by printer model (see details on the last page).

SLS TECHNOLOGY FROM 3D SYSTEMS

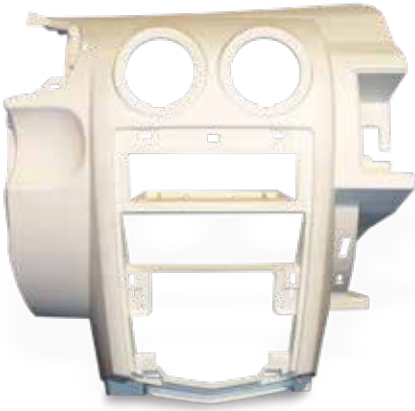
SLS production 3D printers are the proven industry standard. Benefit from 3D Systems' experience with our global product support team, offering dedicated service and application engineers to meet your rigorous quality requirements at facilities around the world.

Complex ducting for optimized air flow printed in DuraForm EX Black

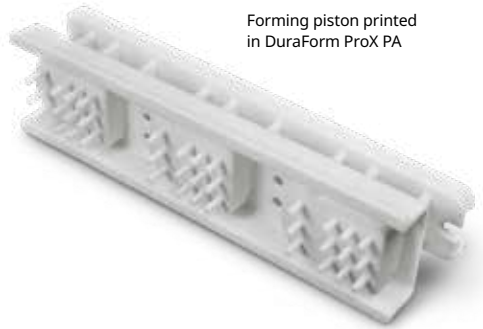
Electronic component printed in DuraForm ProX PA



	ProX SLS 6100	sPro 60 HD-HS	sPro 140	sPro 230
Max build envelope capacity (X x Y x Z)	15 x 13 x 18 in (381 x 330 x 460 mm)	15 x 13 x 18 in (381 x 330 x 460 mm)	22 x 22 x 18 in (550 x 550 x 460 mm)	22 x 22 x 30 in (550 x 550 x 750 mm)
Build material	DuraForm ProX PA DuraForm ProX GF DuraForm ProX HST DuraForm ProX AF+ DuraForm ProX EX BLK DuraForm ProX EX NAT DuraForm ProX FR1200	DuraForm PA DuraForm GF DuraForm EX DuraForm HST DuraForm TPU DuraForm Flex CastForm PS DuraForm FR1200	DuraForm PA DuraForm GF DuraForm EX DuraForm HST	DuraForm PA DuraForm GF DuraForm EX DuraForm HST
Layer thickness range (typical)	0.003 – 0.006 in 0.08 – 0.15 mm (0.004 in, 0.10 mm)	0.003 – 0.006 in 0.08 – 0.15 mm (0.004 in, 0.10 mm)	0.003 – 0.006 in 0.08 – 0.15 mm (0.004 in, 0.10 mm)	0.003 – 0.006 in 0.08 – 0.15 mm (0.004 in, 0.10 mm)
Volume build rate	2.7 l/hr	1.8 l/hr	3.0 l/hr	3.0 l/hr
Powder recycling and handling	Automatic	Manual (enables material changeovers)	Automatic	Automatic



DuraForm PA Dashboard



Forming piston printed in DuraForm ProX PA

Warranty/Disclaimer: The performance characteristics of these products may vary according to product application, operating conditions, material combined with, or with end use. 3D Systems makes no warranties of any type, express or implied, including, but not limited to, the warranties of merchantability or fitness for a particular use.



3D Systems Corporation
333 Three D Systems Circle
Rock Hill, SC 29730
www.3dsystems.com

©2019 by 3D Systems, Inc. All rights reserved.
Specifications subject to change without notice. 3D Systems, the 3D Systems logo, ProX and DuraForm are registered trademarks and sPro is a trademark of 3D Systems, Inc.

3DS-30301A

05-19